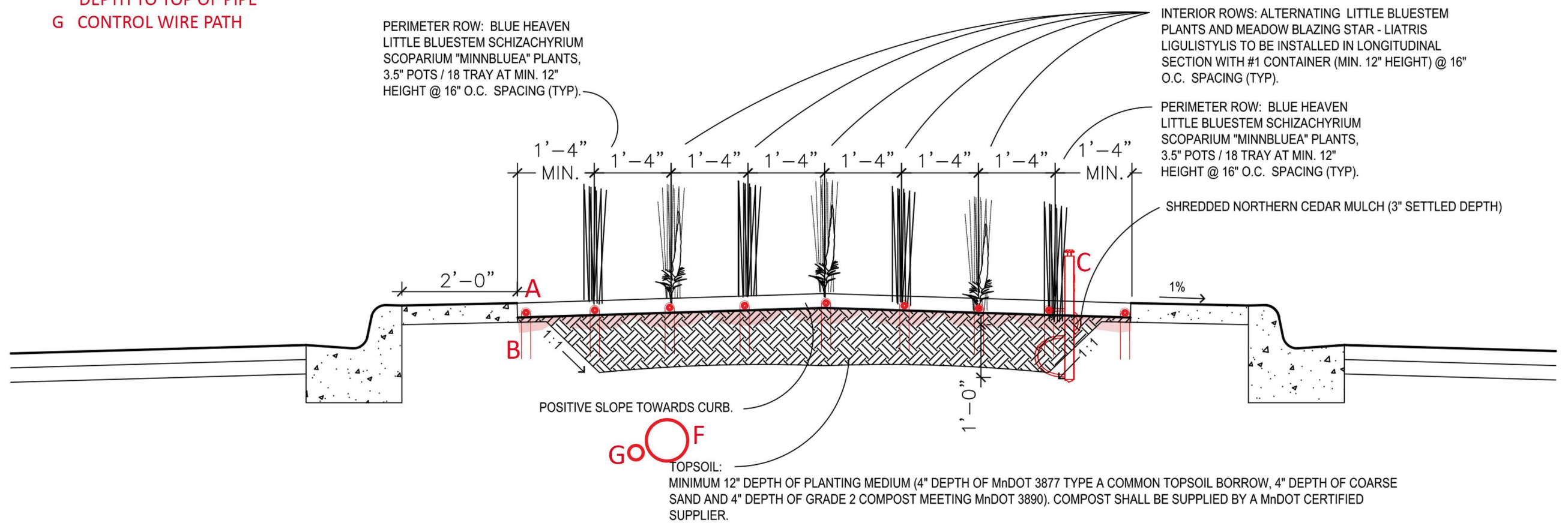
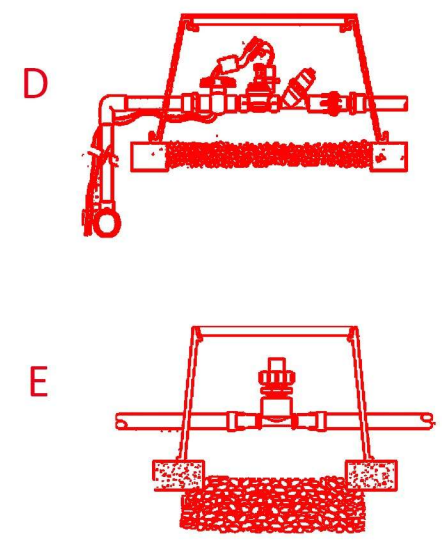


NOTE:
 REFER TO WRITTEN SPECIFICATION SECTION OF THE CURRENTLY
 APPROVED PERFORMANCE-BASED PLANTING IRRIGATION
 SPECIFICATION (32 84 00) FOR ADDITIONAL REQUIREMENTS

- ADDITIONAL PLANTING NOTES:
1. DOUBLE NOSED DUTCH MASTER DAFFODIL BULBS TO BE INSTALLED IN FALL AT 2 PER SQUARE FOOT IN ALL MEDIAN PLANTING AREAS.
 2. ENTIRE MEDIAN PLANTING BED TO HAVE DRIP IRRIGATION INSTALLED. PLAN AND SPECIFICATION MUST BE SUBMITTED FOR CITY REVIEW AND APPROVAL.

IRRIGATION NOTES:

- A 12" SPACED DRIP EMITTERS ON 12" GRID NOT TO EXCEED 2,000 SF PER DRIP STATION
- B DRIP GRID STAPLES MIN. 24" O.C.
- C OPERATION INDICATOR ON EACH HEADER (2 PER STATION)
- D DRIP VALVE ASSEMBLY IN JUMBO SERVICE BOX
- E AIR RELIEF/FLUSH VALVE(S) IN 6" ROUND MIN. SERVICE BOX(ES)
- F SDR 21 PVC MAINLINE (2" OR GREATER) 24" FROM BACK OF SIDEWALK, 24" MIN. DEPTH TO TOP OF PIPE
- G CONTROL WIRE PATH



1 CENTER MEDIAN LANDSCAPE PLAN
 NOT TO SCALE



5TH STREET CORRIDOR
 STANDARD DETAILS
 JUNE 2016

IRRIGATION DETAILS

LI1