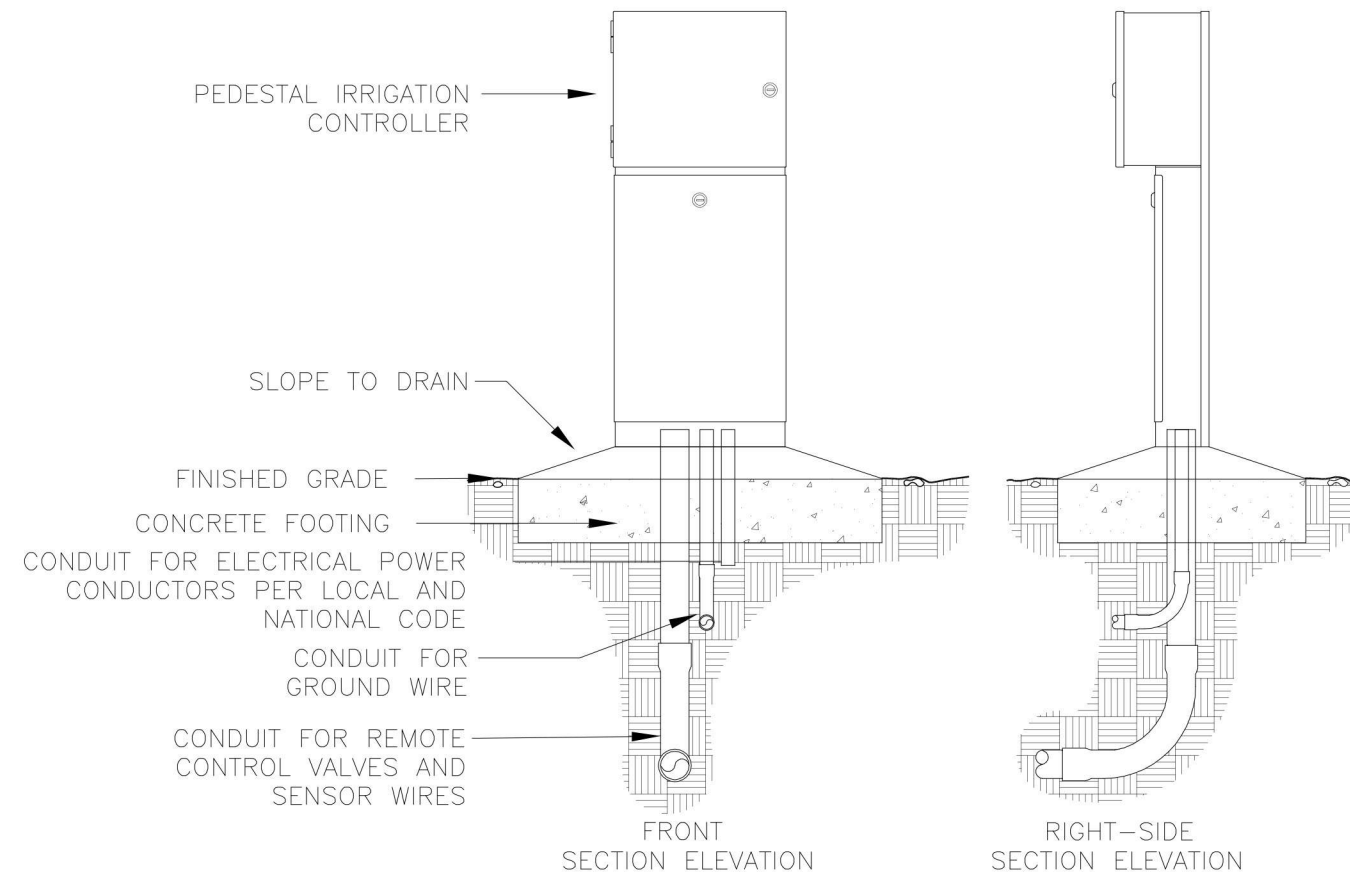
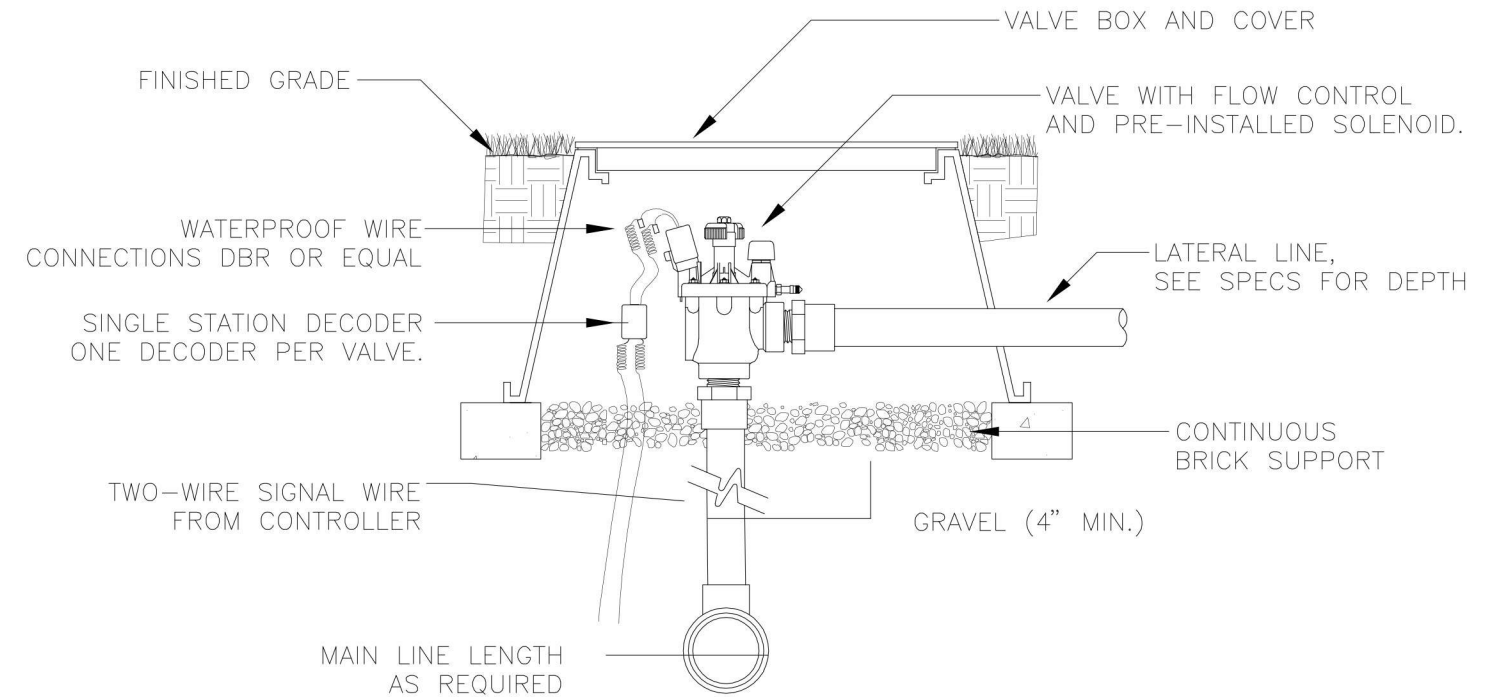


NOTE:
 REFER TO WRITTEN SPECIFICATION SECTION OF THE CURRENTLY
 APPROVED PERFORMANCE-BASED PLANTING IRRIGATION
 SPECIFICATION (32 84 00) FOR ADDITIONAL REQUIREMENTS



- NOTE:
1. INSTALLATION TO BE COMPLETED IN ACCORDANCE WITH MANUFACTURER'S SPECIFICATIONS AND BEST PRACTICES.
 2. HIGH AND LOW VOLTAGE ELECTRICAL WORK IS TO BE PERFORMED BY A LICENSED ELECTRICIAN
 3. GROUND CONTROLLER IN ACCORDANCE WITH MANUFACTURER RECOMMENDATION.

2 2-WIRE PEDESTAL CONTROLLER SAMPLE
 1" = 1'-0"



- NOTE:
1. INSTALLATION TO BE COMPLETED IN ACCORDANCE WITH MANUFACTURER'S SPECIFICATIONS AND BEST PRACTICES.
 2. SET VALVE BOXES AT FINAL GRADE OR HIGHER AS LANDSCAPE INDICATES SO THAT THEY ARE VISIBLE BUT NOT A HAZARD.
 3. VALVE BOX BOTTOMS ARE TO BE SUPPORTED ON BRICKS OR SUITABLE HARD MATERIAL TO PREVENT BOXES FROM BEING PUSHED BELOW GRADE.
 4. INSTALL CONTROLS VALVE IN PROPER IRRIGATION BOXES, AS PER INDUSTRY STANDARDS FOR EASE OF SERVICE AND MANUAL OPERATION. SEE IRRIGATION SPECIFICATION.
 5. UTILIZE EXTENSION KITS AS REQUIRED.
 6. ADD FOUR-INCHES OF 3/4-INCH CRUSHED GRAVEL SUMP PER BOX.
 7. ALLOW FOR NOT LESS THAN 24" WIRE SLACK COILED NEATLY IN CONTROL BOX.

3 VALVE W/ SOLENOID AND DECODER SAMPLE
 1 1/2" = 1'-0"