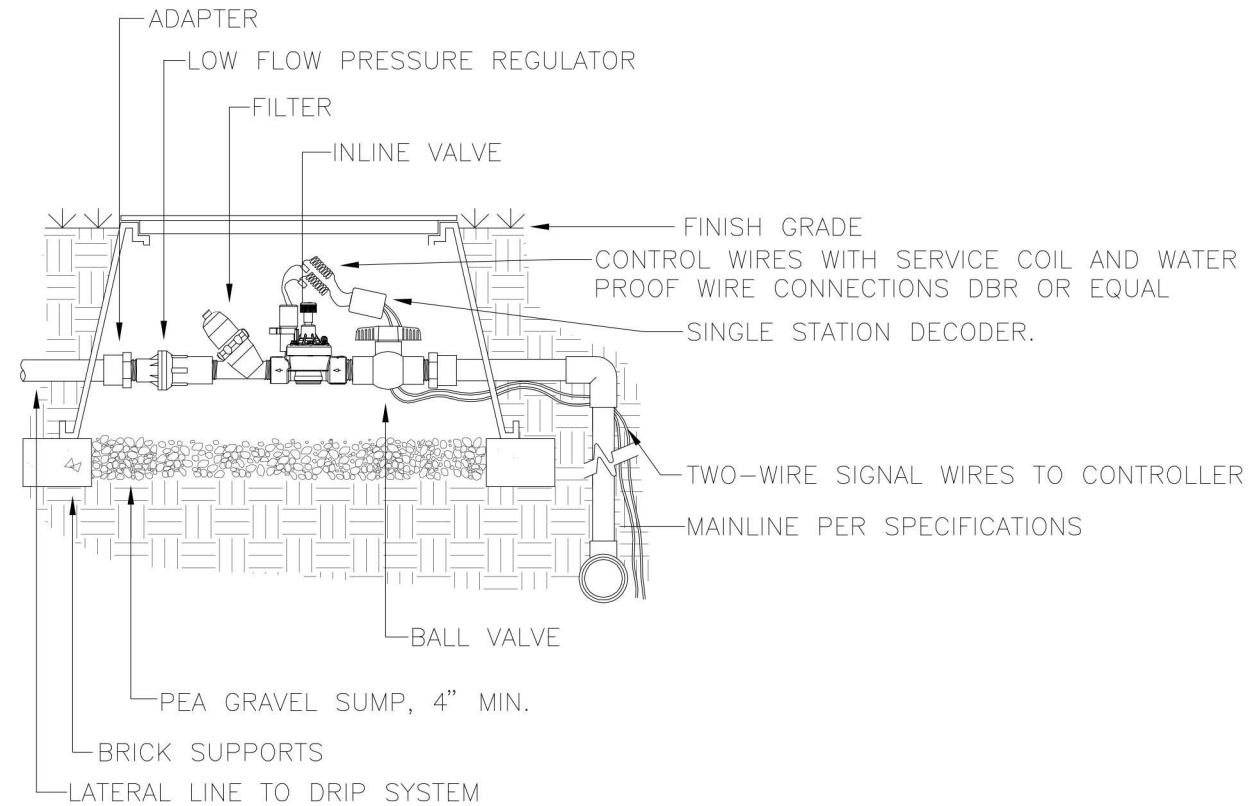
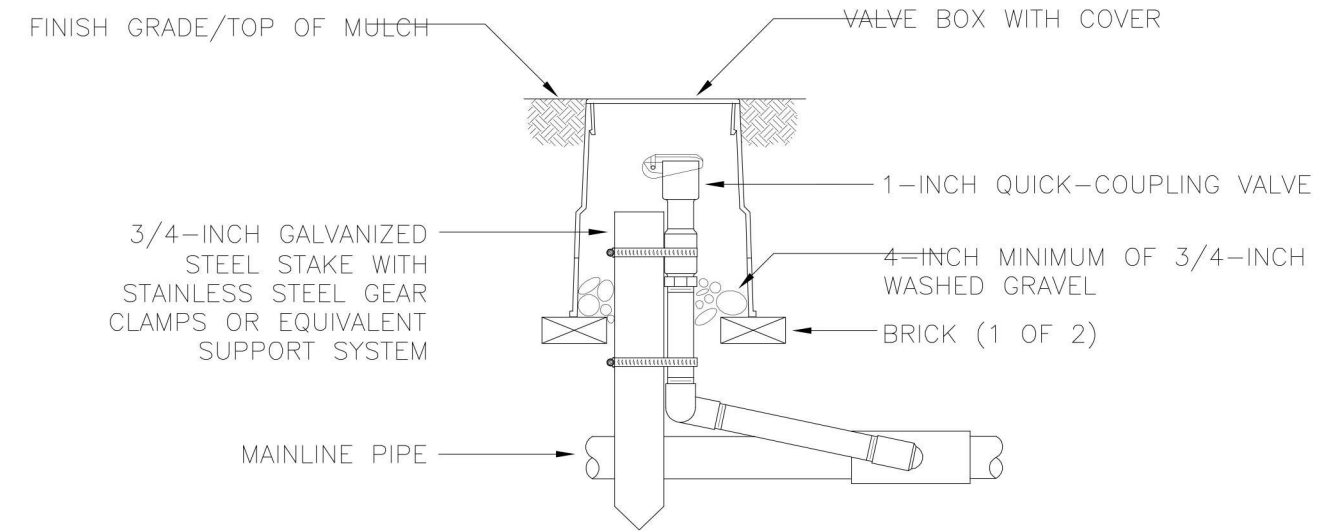


NOTE:
 REFER TO WRITTEN SPECIFICATION SECTION OF THE CURRENTLY APPROVED PERFORMANCE-BASED PLANTING IRRIGATION SPECIFICATION (32 84 00) FOR ADDITIONAL REQUIREMENTS



- NOTE:
1. INSTALLATION TO BE COMPLETED IN ACCORDANCE WITH MANUFACTURER'S SPECIFICATIONS AND BEST PRACTICES.
 2. SET VALVE BOXES AT FINAL GRADE OR HIGHER AS LANDSCAPE INDICATES SO THAT THEY ARE VISIBLE BUT NOT A HAZARD.
 3. VALVE BOTTOMS ARE TO BE SUPPORTED ON BRICKS OR SUITABLE HARD MATERIAL TO PREVENT BOXES FROM BEING PUSHED BELOW GRADE.
 4. INSTALL CONTROL VALVE IN PROPER IRRIGATION BOX, AS PER INDUSTRY STANDARDS FOR EASE OF SERVICE AND MANUAL OPERATION. SEE IRRIGATION SPECIFICATION.
 5. UTILIZE EXTENSION KITS AS REQUIRED.
 6. ADD FOUR-INCHES OF 3/4-INCH CRUSHED GRAVEL SUMP PER BOX.
 7. ALLOW FOR NOT LESS THAN 24" WIRE SLACK COILED NEATLY IN CONTROL BOX.



- NOTE:
1. INSTALLATION TO BE COMPLETED IN ACCORDANCE WITH MANUFACTURER'S SPECIFICATIONS AND BEST PRACTICES.
 2. SET VALVE BOXES AT FINAL GRADE OR HIGHER AS LANDSCAPE INDICATES SO THAT THEY ARE VISIBLE BUT NOT A HAZARD.
 3. VALVE BOX BOTTOMS ARE TO BE SUPPORTED ON BRICKS OR SUITABLE HARD MATERIAL TO PREVENT BOXES FROM BEING PUSHED BELOW GRADE.
 4. INSTALL VALVE IN PROPER IRRIGATION BOX, AS PER INDUSTRY STANDARDS FOR EASE OF SERVICE AND MANUAL OPERATION. SEE IRRIGATION SPECIFICATION.
 5. FURNISH FITTINGS AND PIPING NOMINALLY SIZED IDENTICAL TO NOMINAL QUICK COUPLING VALVE INLET SIZE.
 6. ADD FOUR-INCHES OF 3/4-INCH CRUSHED GRAVEL SUMP PER BOX.

4 DRIP ZONE CONTROL SAMPLE
 1 1/2" = 1'-0"

5 QUICK COUPLING VALVE SAMPLE
 1 1/2" = 1'-0"