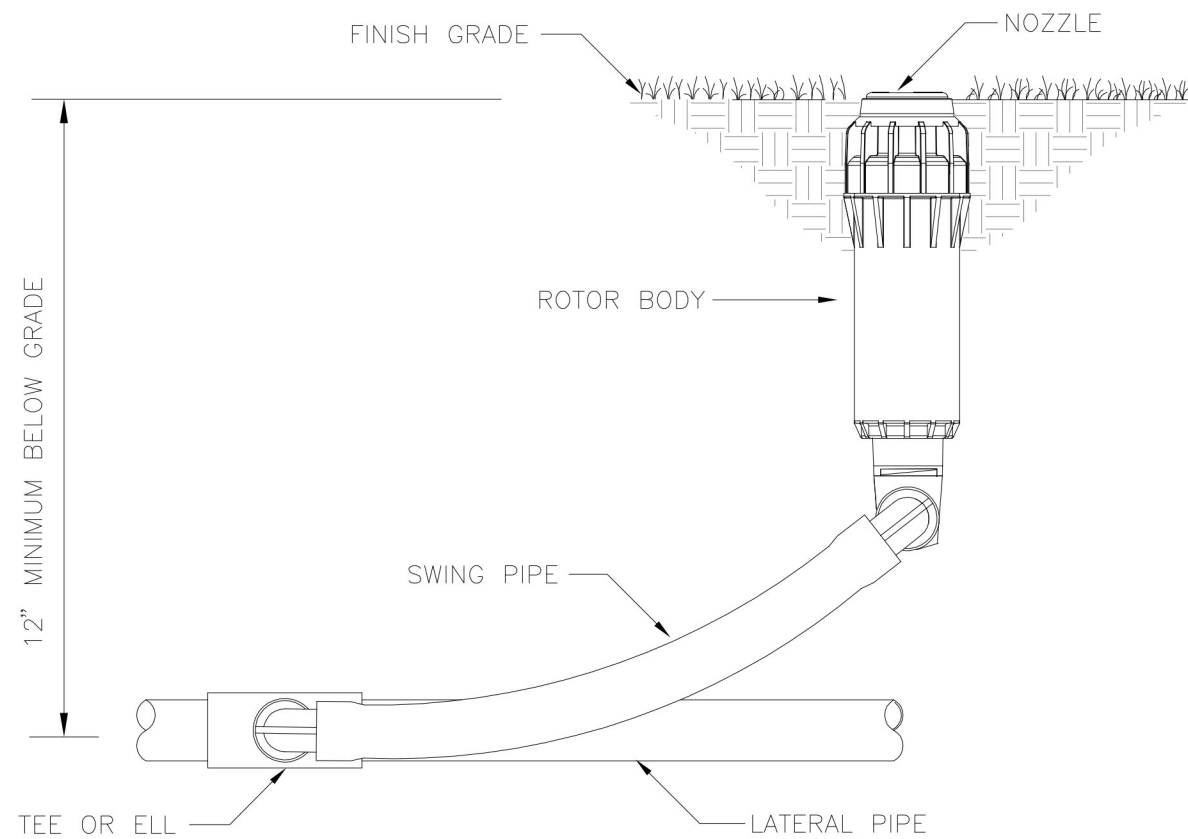
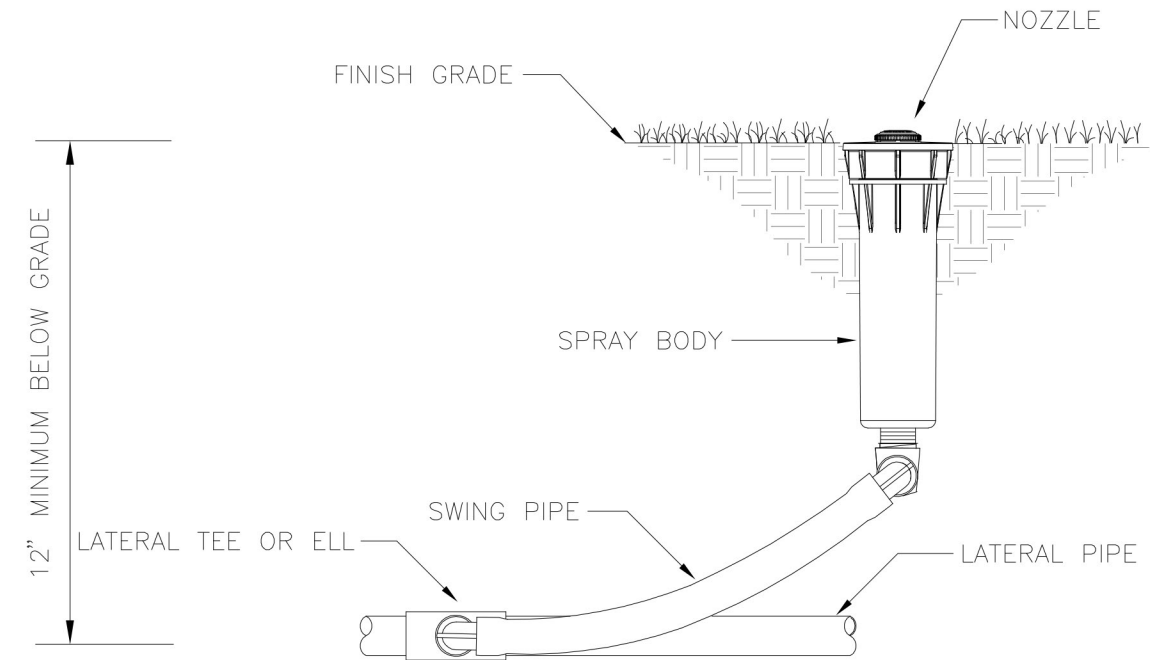


NOTE:  
 REFER TO WRITTEN SPECIFICATION SECTION OF THE CURRENTLY APPROVED PERFORMANCE-BASED PLANTING IRRIGATION SPECIFICATION (32 84 00) FOR ADDITIONAL REQUIREMENTS



- NOTE:
1. INSTALLATION TO BE COMPLETED IN ACCORDANCE WITH MANUFACTURER'S SPECIFICATIONS AND BEST PRACTICES.
  2. SPRINKLER SHALL OPERATE CLOSE TO DESIGNER SPECIFIED PRESSURE RATING.
  3. DO NOT MOUNT SPRINKLER DIRECTLY NEXT TO HARDSCAPES OR FENCES. PLACE 2" - 4" AWAY TO ALLOW FOR MAINTENANCE.
  4. SPRINKLER SHALL BE PLACED PERPENDICULAR TO FINISHED GRADE FOR OPTIMUM PERFORMANCE.



- NOTE:
1. INSTALLATION TO BE COMPLETED IN ACCORDANCE WITH MANUFACTURER'S SPECIFICATIONS AND BEST PRACTICES.
  2. SPRINKLER SHALL OPERATE AS CLOSE TO MANUFACTURER OPTIMUM PRESSURE RATING AND BEST PRACTICES.
  3. DO NOT MOUNT SPRINKLER DIRECTLY NEXT TO HARDSCAPES OR FENCES. PLACE 2" - 4" AWAY TO ALLOW FOR MAINTENANCE.
  4. SPRINKLER SHALL BE PLACED PERPENDICULAR TO FINISHED GRADE FOR OPTIMUM PERFORMANCE.

**6** ROTOR W/ SWING JOINT SAMPLE  
 3" = 1'-0"

DETAIL-FILE

**7** SPRAY W/ SWING JOINT SAMPLE  
 3" = 1'-0"